

# ETC-SV30

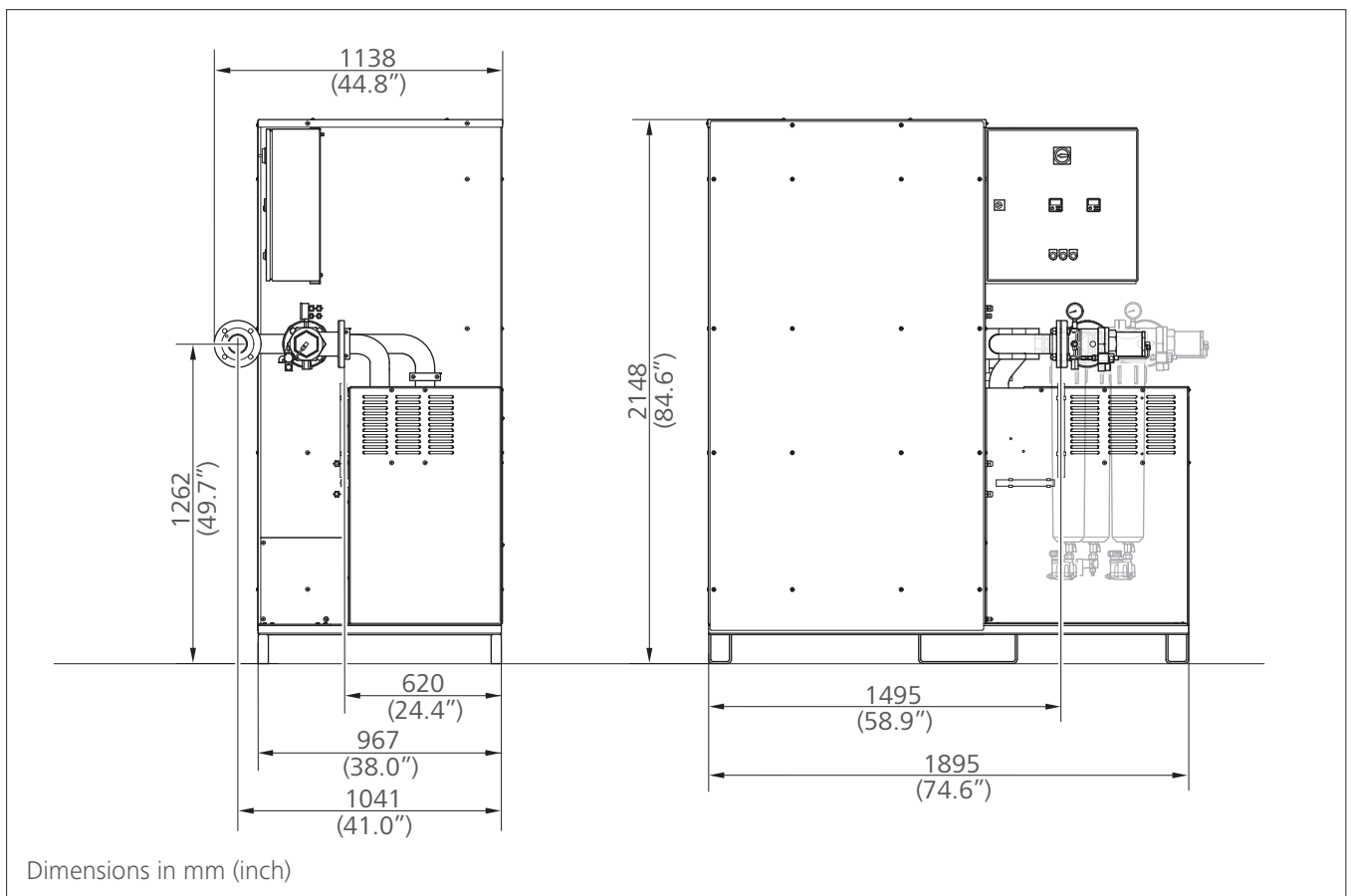
## Catalytic air treatment



### TECHNICAL SPECIFICATION

› Flow rate at 7 barg / 100 psig	30 Nm <sup>3</sup> /min	1059 scfm
› Max. pressure	16 barg	232 psig
› Air quality for oil according to ISO 8573-1	class 0 (< 0.0025 mg/Nm <sup>3</sup> )	
› Weight approx.	1100 kg	2430 lbs
› Power supply	400 VAC, 3 ph, 50 Hz	
› Installed power	21 kW	
› power consumption	0.005 kWh/Nm <sup>3</sup>	

### ››› Dimensions



Without separator, VS-modul and particle filter.  
For detailed layout, please ask for the installation drawing/3d model.



## Design data

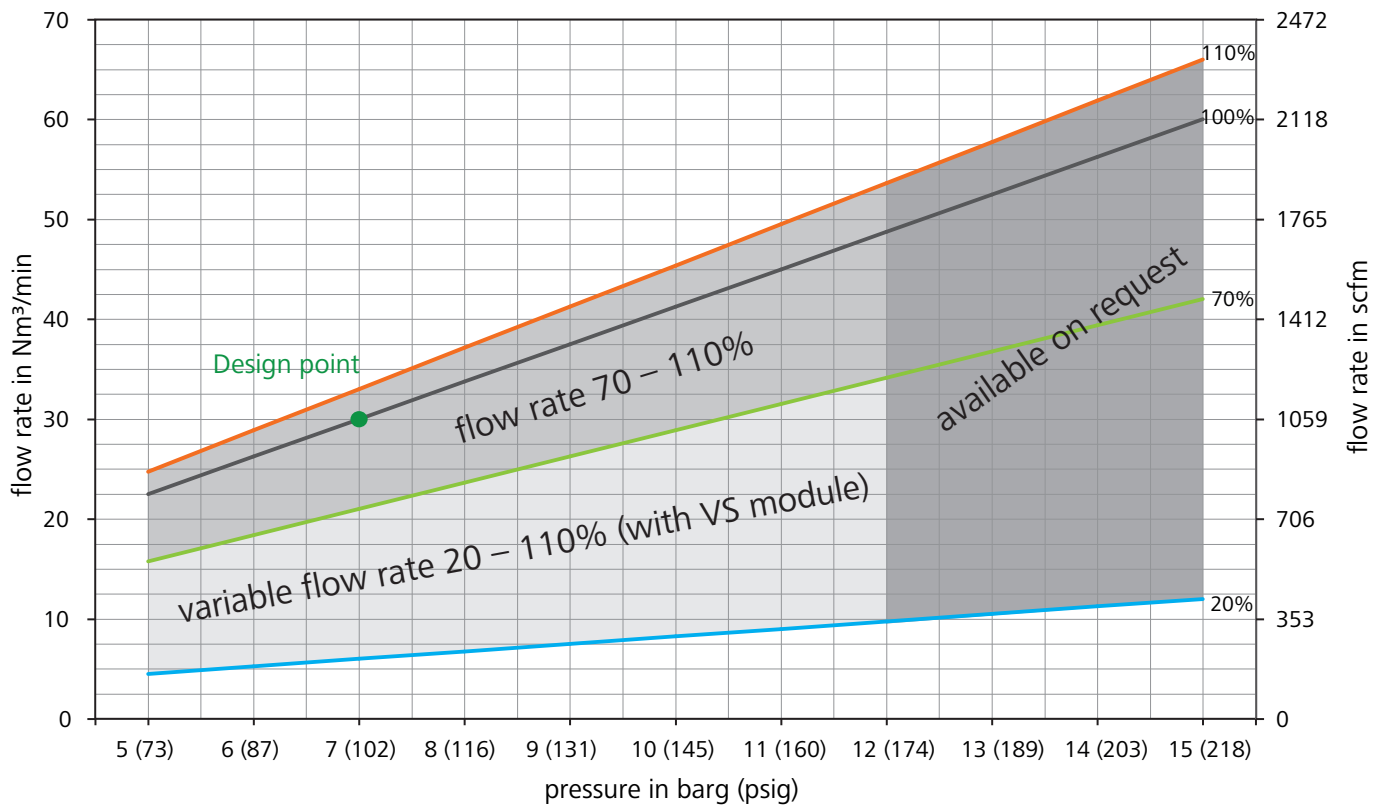
Permissible deviations from the design data for guaranteed oil-free air class 0 according to DIN ISO 8573-1

	Operating pressure		Nominal flow rate* 100%		Flow rate range <b>without</b> VS module* 70% – 110%		Flow rate range <b>with</b> VS module* 20% – 110%	
	[barg]	[psig]	[Nm <sup>3</sup> /min]	[scfm]	[Nm <sup>3</sup> /min]	[scfm]	[Nm <sup>3</sup> /min]	[scfm]
	5	72.5	22.5	794	15.8 - 24.8	556 - 874	4.5 - 24.8	159 - 874
	6	87.0	26.3	927	18.4 - 28.9	649 - 1020	5.3 - 28.9	185 - 1020
<b>Design point</b>	7	101.5	30.0	1059	21.0 - 33.0	741 - 1165	6.0 - 33.0	212 - 1165
	8	116.0	33.8	1192	23.6 - 37.1	834 - 1311	6.8 - 37.1	238 - 1311
	9	130.5	37.5	1324	26.3 - 41.3	927 - 1456	7.5 - 41.3	265 - 1456
	10	145.0	41.3	1456	28.9 - 45.4	1020 - 1602	8.3 - 45.4	291 - 1602
	11	159.5	45.0	1589	31.5 - 49.5	1112 - 1748	9.0 - 49.5	318 - 1748
	12	174.0	48.8	1721	34.1 - 53.6	1205 - 1893	9.8 - 53.6	344 - 1893

\* Normal flow rate according to DIN ISO 13431

Pressures greater than 12 barg are available on request

## Design chart



Technical modifications and errors excepted!  
© 2011 ROTORCOMP®, Germany

[www.rotorcomp.de](http://www.rotorcomp.de)