

ETC-SV10

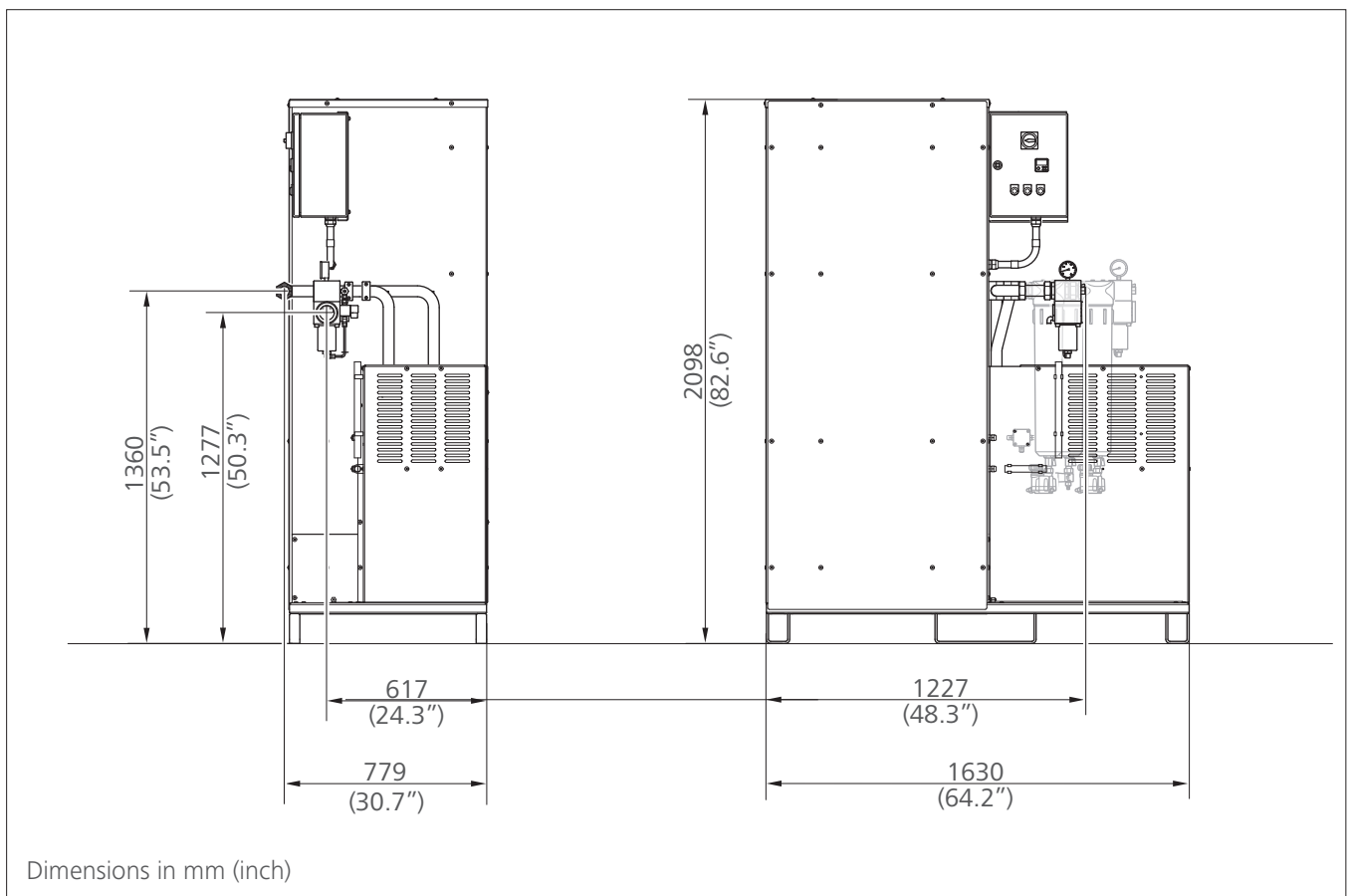
Catalytic air treatment



TECHNICAL SPECIFICATION

› Flow rate at 7 barg / 100 psig	10 Nm ³ /min	353 scfm
› Max. pressure	16 barg	232 psig
› Air quality for oil according to ISO 8573-1	class 0 (< 0.0025 mg/Nm ³)	
› Weight approx.	590 kg	1300 lbs
› Power supply	400 VAC, 3 ph, 50 Hz	
› Installed power	10 kW	
› power consumption	0.005 kWh/Nm ³	

››› Dimensions



Without separator, VS-modul and particle filter.
For detailed layout, please ask for the installation drawing/3d model.



Design data

Permissible deviations from the design data for guaranteed oil-free air class 0 according to DIN ISO 8573-1

	Operating pressure		Nominal flow rate* 100%		Flow rate range without VS module* 70% – 110%		Flow rate range with VS module* 20% – 110%	
	[barg]	[psig]	[Nm ³ /min]	[scfm]	[Nm ³ /min]	[scfm]	[Nm ³ /min]	[scfm]
	5	72.5	7.5	265	5.3 - 8.3	185 - 291	1.5 - 8.3	53 - 291
	6	87.0	8.8	309	6.1 - 9.6	216 - 340	1.8 - 9.6	62 - 340
Design point	7	101.5	10.0	353	7.0 - 11.0	247 - 388	2.0 - 11.0	71 - 388
	8	116.0	11.3	397	7.9 - 12.4	278 - 437	2.3 - 12.4	79 - 437
	9	130.5	12.5	441	8.8 - 13.8	309 - 485	2.5 - 13.8	88 - 485
	10	145.0	13.8	485	9.6 - 15.1	340 - 534	2.8 - 15.1	97 - 534
	11	159.5	15.0	530	10.5 - 16.5	371 - 583	3.0 - 16.5	106 - 583
	12	174.0	16.3	574	11.4 - 17.9	402 - 631	3.3 - 17.9	115 - 631

* Normal flow rate according to DIN ISO 13431

Pressures greater than 12 barg are available on request

Design chart

