

ETC-S50

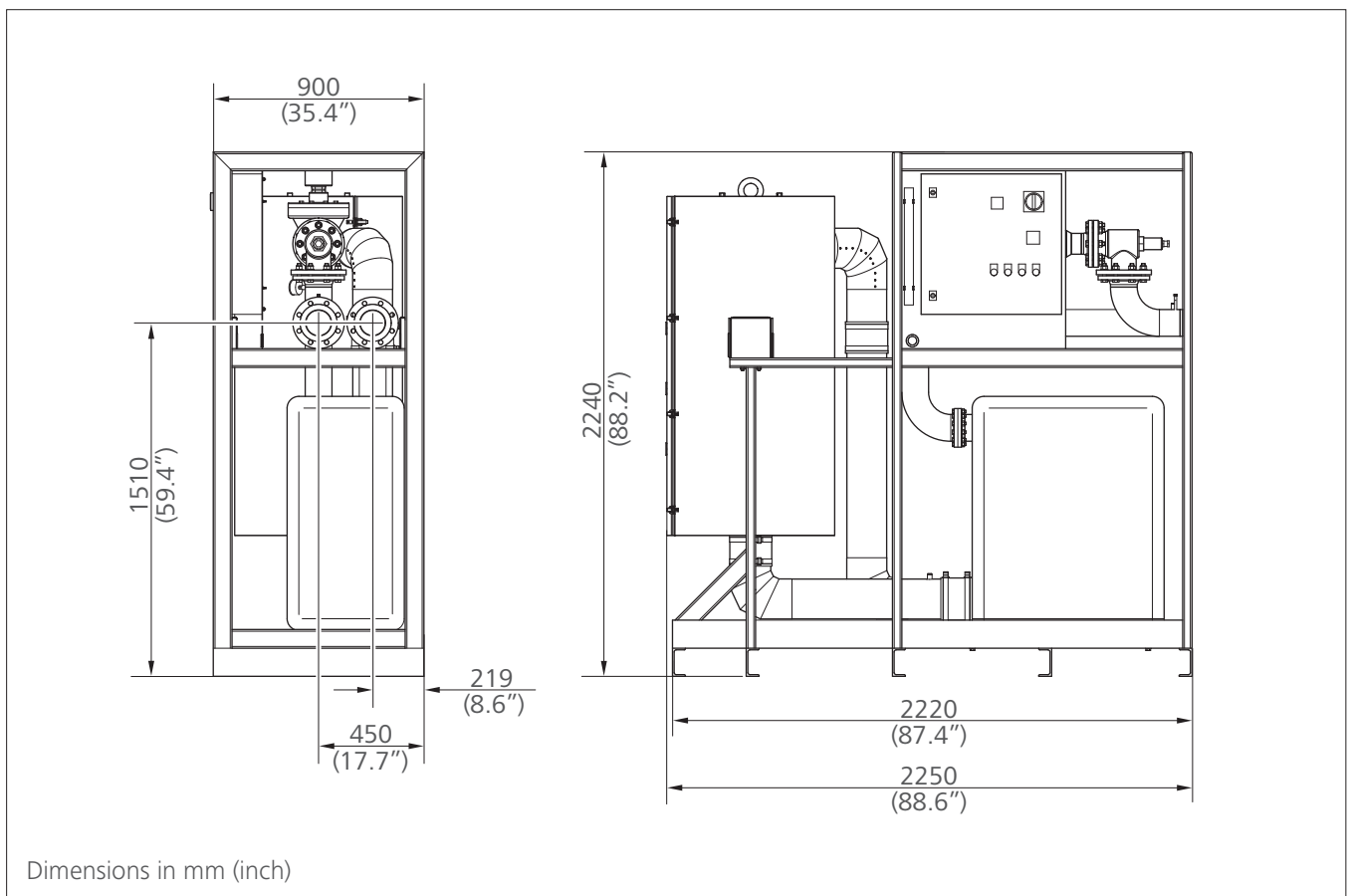
Catalytic air treatment



TECHNICAL SPECIFICATION

› Flow rate at 7 barg / 100 psig	50 Nm ³ /min	1765 scfm
› Max. pressure	16 barg	232 psig
› Air quality for oil according to ISO 8573-1	class 0 (< 0.0025 mg/Nm ³)	
› Weight approx.	1700 kg	3750 lbs
› Power supply	400 VAC, 3 ph, 50 Hz	
› Installed power	28 kW	
› power consumption	0.005 kWh/Nm ³	

››› Dimensions



Without separator, VS-modul and particle filter.
 For detailed layout, please ask for the installation drawing/3d model.



Design data

Permissible deviations from the design data for guaranteed oil-free air class 0 according to DIN ISO 8573-1

	Operating pressure		Nominal flow rate* 100%		Flow rate range without VS module* 70% – 110%		Flow rate range with VS module* 20% – 110%	
	[barg]	[psig]	[Nm ³ /min]	[scfm]	[Nm ³ /min]	[scfm]	[Nm ³ /min]	[scfm]
	5	72.5	37.5	1324	26.3 - 41.3	927 - 1456	7.5 - 41.3	265 - 1456
	6	87.0	43.8	1545	30.6 - 48.1	1081 - 1699	8.8 - 48.1	309 - 1699
Design point	7	101.5	50.0	1765	35.0 - 55.0	1236 - 1942	10.0 - 55.0	353 - 1942
	8	116.0	56.3	1986	39.4 - 61.9	1390 - 2185	11.3 - 61.9	397 - 2185
	9	130.5	62.5	2207	43.8 - 68.8	1545 - 2427	12.5 - 68.8	441 - 2427
	10	145.0	68.8	2427	48.1 - 75.6	1699 - 2670	13.8 - 75.6	485 - 2670
	11	159.5	75.0	2648	52.5 - 82.5	1854 - 2913	15.0 - 82.5	530 - 2913
	12	174.0	81.3	2869	56.9 - 89.4	2008 - 3156	16.3 - 89.4	574 - 3156

* Normal flow rate according to DIN ISO 13431

Pressures greater than 12 barg are available on request

Design chart

