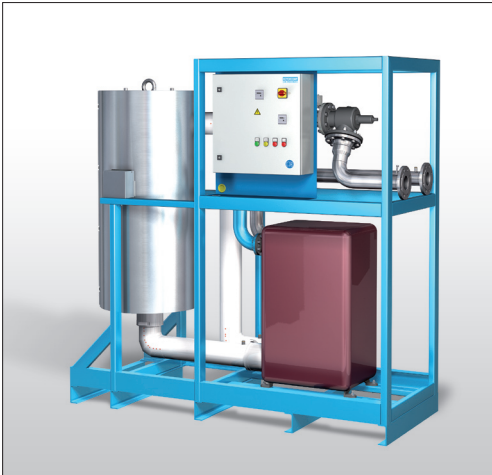


# ETC-S40

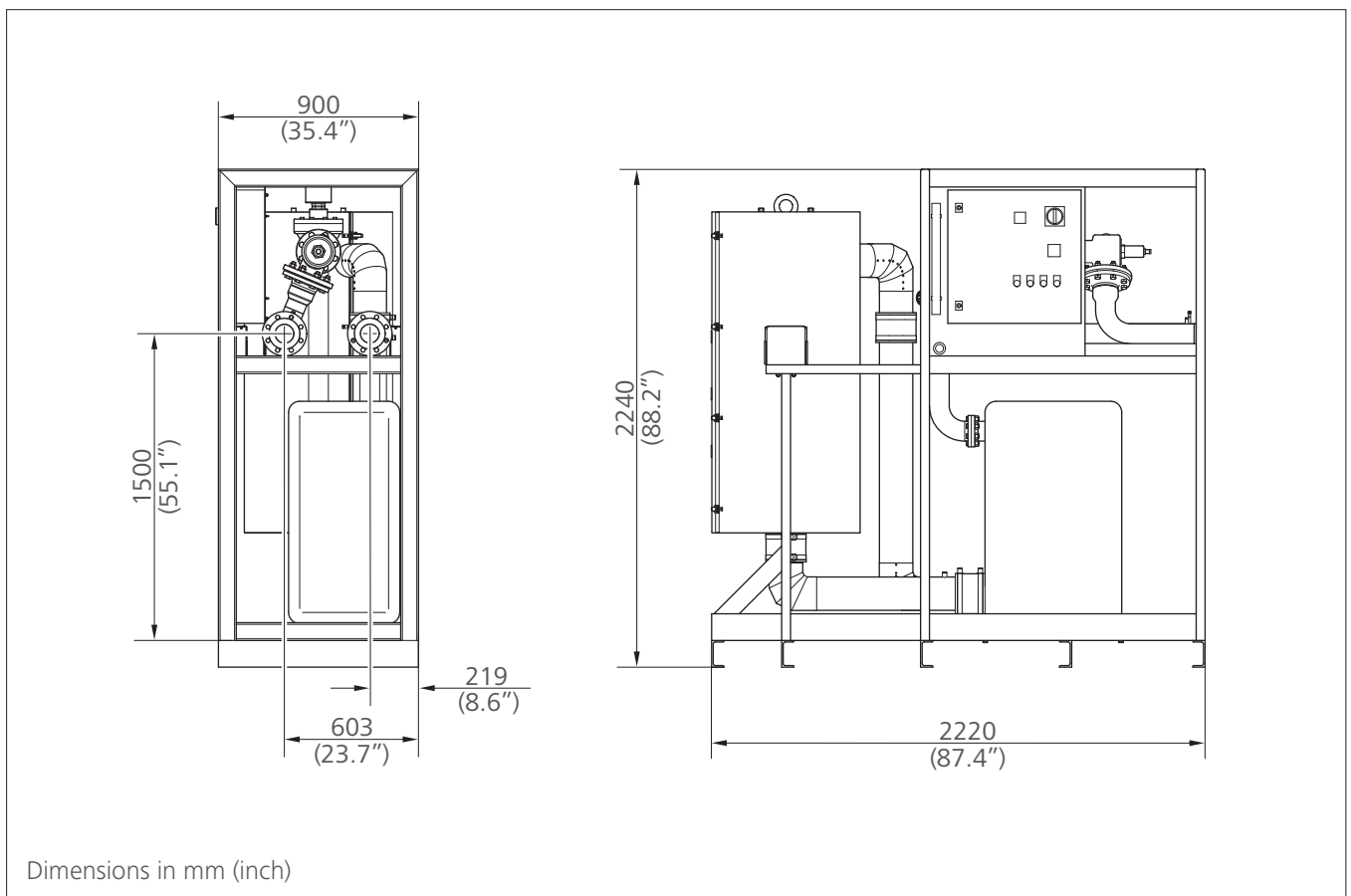
## Catalytic air treatment



### TECHNICAL SPECIFICATION

› Flow rate at 7 barg / 100 psig	40 Nm <sup>3</sup> /min	1412 scfm
› Max. pressure	16 barg	232 psig
› Air quality for oil according to ISO 8573-1	class 0 (< 0.0025 mg/Nm <sup>3</sup> )	
› Weight approx.	1500 kg	3310 lbs
› Power supply	400 VAC, 3 ph, 50 Hz	
› Installed power	28 kW	
› power consumption	0.005 kWh/Nm <sup>3</sup>	

### ››› Dimensions



Without separator, VS-modul and particle filter.  
 For detailed layout, please ask for the installation drawing/3d model.



## Design data

Permissible deviations from the design data for guaranteed oil-free air class 0 according to DIN ISO 8573-1

	Operating pressure		Nominal flow rate* 100%		Flow rate range without VS module* 70% – 110%		Flow rate range with VS module* 20% – 110%	
	[barg]	[psig]	[Nm <sup>3</sup> /min]	[scfm]	[Nm <sup>3</sup> /min]	[scfm]	[Nm <sup>3</sup> /min]	[scfm]
	5	72.5	30.0	1059	21.0 - 33.0	741 - 1165	6.0 - 33.0	212 - 1165
	6	87.0	35.0	1236	24.5 - 38.5	865 - 1359	7.0 - 38.5	247 - 1359
<b>Design point</b>	7	101.5	40.0	1412	28.0 - 44.0	989 - 1554	8.0 - 44.0	282 - 1554
	8	116.0	45.0	1589	31.5 - 49.5	1112 - 1748	9.0 - 49.5	318 - 1748
	9	130.5	50.0	1765	35.0 - 55.0	1236 - 1942	10.0 - 55.0	353 - 1942
	10	145.0	55.0	1942	38.5 - 60.5	1359 - 2136	11.0 - 60.5	388 - 2136
	11	159.5	60.0	2118	42.0 - 66.0	1483 - 2330	12.0 - 66.0	424 - 2330
	12	174.0	65.0	2295	45.5 - 71.5	1607 - 2525	13.0 - 71.5	459 - 2525

\* Normal flow rate according to DIN ISO 13431

Pressures greater than 12 barg are available on request

## Design chart

